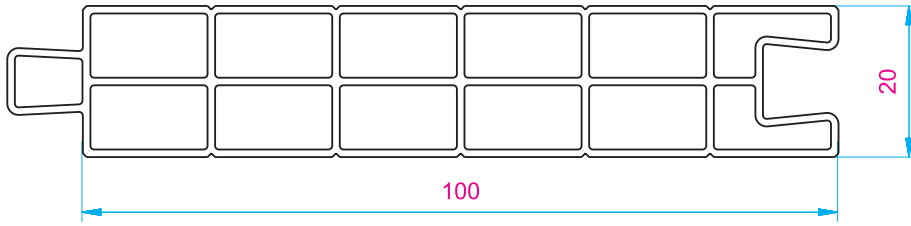
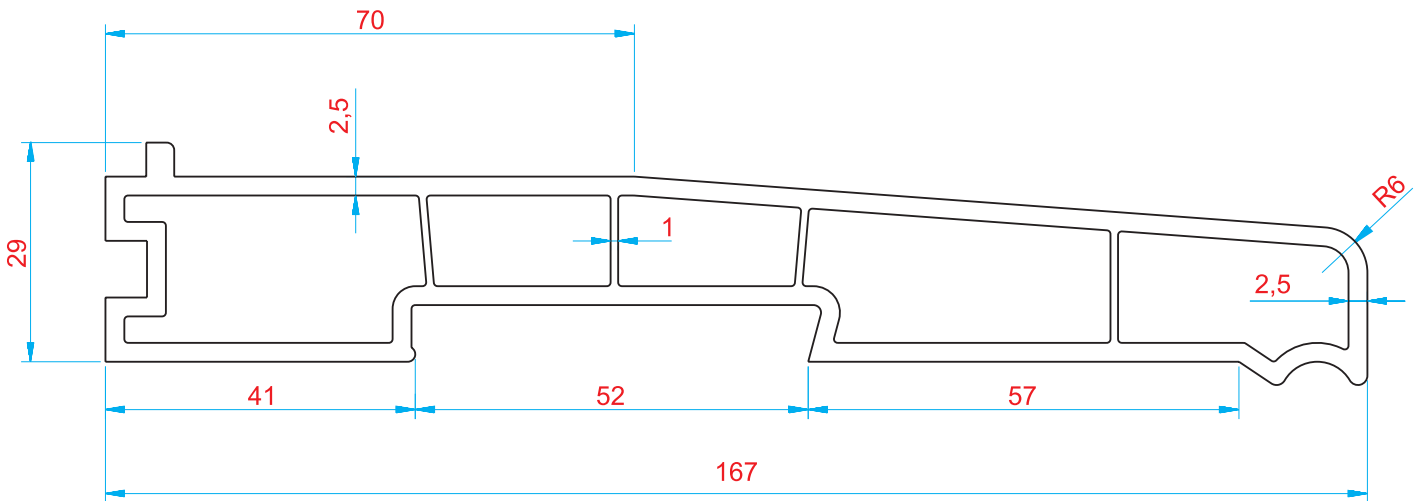


Code: 03.125 - 450 gr/m Kapı lambrisi (Tek odalı) / Door panel (Single-Chambered)



Code: 03.130 - 410 gr/m Kapı lambrisi (Çift odalı) / Door panel (Double-Chambered)



Code: 03.225 - 1530 gr/m Denizlik profili / Window sill profile